

APPLICATION:

PRODUCT NAME:
UTILITY SPRAY WALL MOUNT

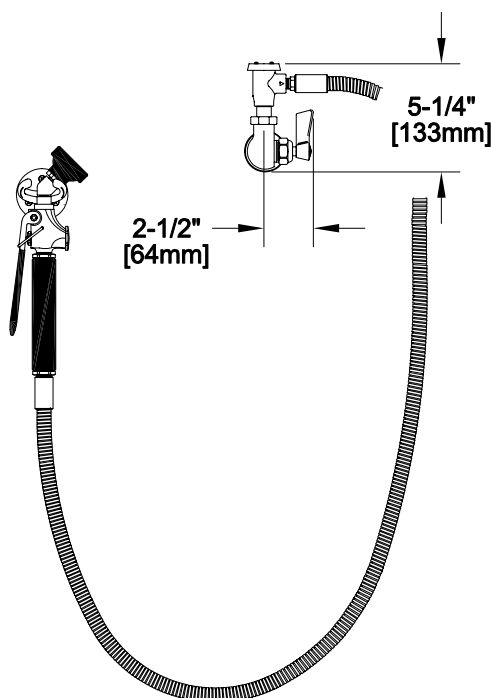
JOB NAME:

SPECIAL CONFIGURATION
 CHECK BASE MODEL AND OPTIONS

QUANTITY:

ITEM NO.

MODEL:
■ 2760



- OPTIONS OR MODIFICATIONS:
- SUPPLY LINES (24" OR 36") CIRCLE LENGTH
 - ADD-ON FAUCET (6", 8", 10", 12", 14", 16") CIRCLE
 - IN-LINE DUAL CHECK VALVE
 - PIPE HOOK
 - NIPPLES
 - ELBOWS
 - BRUSH
 - HANDLES (CROSS OR WRIST) CIRCLE STYLE
 - VANDAL RESISTANT KIT
 - OTHER _____

FEATURES

- CONTROL VALVE
- * SINGLE WALL
 - * STEM - RIGHT HAND
 - * SWIVELLING SEAT DISK
 - * HOT AND COLD INDEX BUTTONS
 - * STAINLESS STEEL SEAT
 - * STAINLESS STEEL SEAT SCREW
 - * STAINLESS STEEL HANDLE SCREW

- HOSE
- * 60" LENGTH
 - * STAINLESS STEEL END FITTINGS
 - * STAINLESS STEEL EXTERNAL JACKET
 - * 3-PLY FIBER REINFORCED INTERNAL RUBBER HOSE
 - * REPAIRABLE IN-FIELD WITH SIMPLE TOOLS

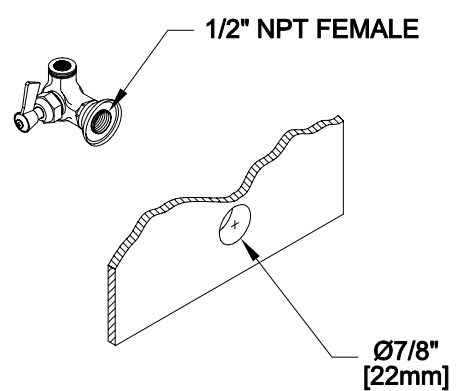
- UTILITY SPRAY VALVE
- * NOZZLE THREADED INTO VALVE
 - * SHOWER SPRAY PATTERN
 - * 45° ANGLED HEAD
 - * BRONZE HANDLE - NOT PLASTIC - MEANS FULL "ON"
 - * FITS ALL BRANDS
 - * 2.65 GPM AT 80 PSI

- SWIVEL ELBOW
- * 360° TURNING RADIUS
 - * ATMOSPHERIC VACUUM BREAKER

- SYSTEM LIMITS
- * TEMP: 40°F MIN. TO 140°F MAX.
 - * PRESSURE: 200 PSI MAX. STATIC

- SHIPPING WEIGHT
- * 7.5 LBS

ROUGH-IN:



FISHER
FISHER MANUFACTURING COMPANY
TOLL FREE: 800-421-6162 - FAX: 800-832-8238
information@fisher-mfg.com - www.fisher-mfg.com